

4

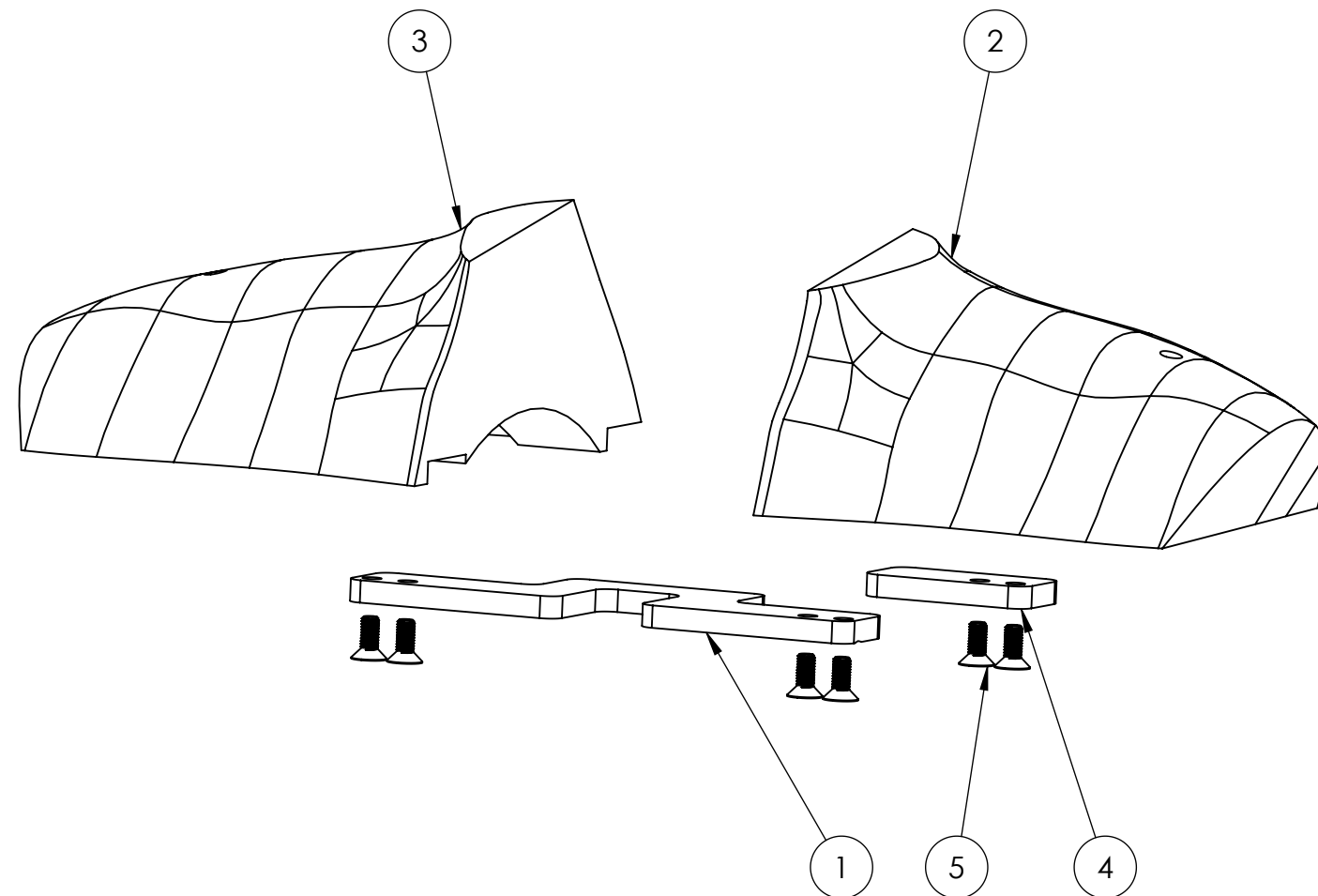
3

2

1

REVISIONS

ZONE	REV.	DESCRIPTION	DATE	APPROVED
------	------	-------------	------	----------



ITEM NO.	PART NUMBER	DESCRIPTION	QTY.
1	W50-35045	FRONT SUPPORT PLATE	1
2	W50-35040-1	SHOULDER PAD, LEFT	1
3	W50-35040-2	SHOULDER PAD, RIGHT	1
4	W50-35046	REAR SUPPORT TAB	1
5	91294A210	M5 X 12 FHCS	6

UNLESS OTHERWISE SPECIFIED:

DIMENSIONS ARE IN MM  
 TOLERANCES:  
 FRACTIONAL ± 1/64  
 ANGULAR: MACH ±.5 BEND ±2  
 ONE PLACE DECIMAL ±.1  
 TWO PLACE DECIMAL ±.05

INTERPRET GEOMETRIC TOLERANCING PER: ASME Y14.5-2009

MATERIAL Material <not specified>

FINISH

DO NOT SCALE DRAWING

VEHICLE RESEARCH AND TEST CENTER

NAME	DATE
DRAWN	

CHECKED

ENG APPR.

APPROVED



NATIONAL HIGHWAY TRAFFIC SAFETY ADMINISTRATION

TITLE: SHOULDER PAD ASSY FOR RIBEYE

SIZE	DWG. NO.	REV
<b>B</b>	W50-35040	

SCALE: 1:2

SHEET 1 OF 1

4

3

2

1

B

B

A

A