

# JASTI WorldSID50 Update and other dummy specification

ISO/TC22/SC12/WG5

2013/5/14 Berlin

JASTI Co., Ltd.



# Information from Others

- WorldSID50 Development update.
- Hybrid-III 5F Chest Jacket
- FMVSS226

# World SID 50

	April	May.	June.	July	Aug..	Sep..	Oct.
Head ass'y	3D review	Mold refined Production	Repeat test And refine	→			
Neck Ass'y	Test and Review	Rubber Spec confirmed.	(Production)	Repeat test →			
Shoulder Rib Chest Rib Abdominal Rib	3 different Rib set production	Impact test New Rib set from test Results	Damping material study Final Sepc?.	Durability test Stability test →			
Pelvis Ass'y	Two different models	Impact test Original shape	Repeat test	(Production) Confirmation test	Repeatable test →		
Others			Evaluation test			Summary	
Chest sensor	Sensor works with sensor manufacture		Max. Deflexion Should be set As Rib Spec.??	→			

- All listed parts have been developed under latest ISO 9790 & 15830.
- World SID 5F and others dummy development are followed in 2013

# Hybrid-III 5F Chest Jacket specification

(A).JASTI dummy parts are all interchangeable to 49CFR Part 572 requested specification.

(B).JASTI follows (SAE) harmonization committee results;

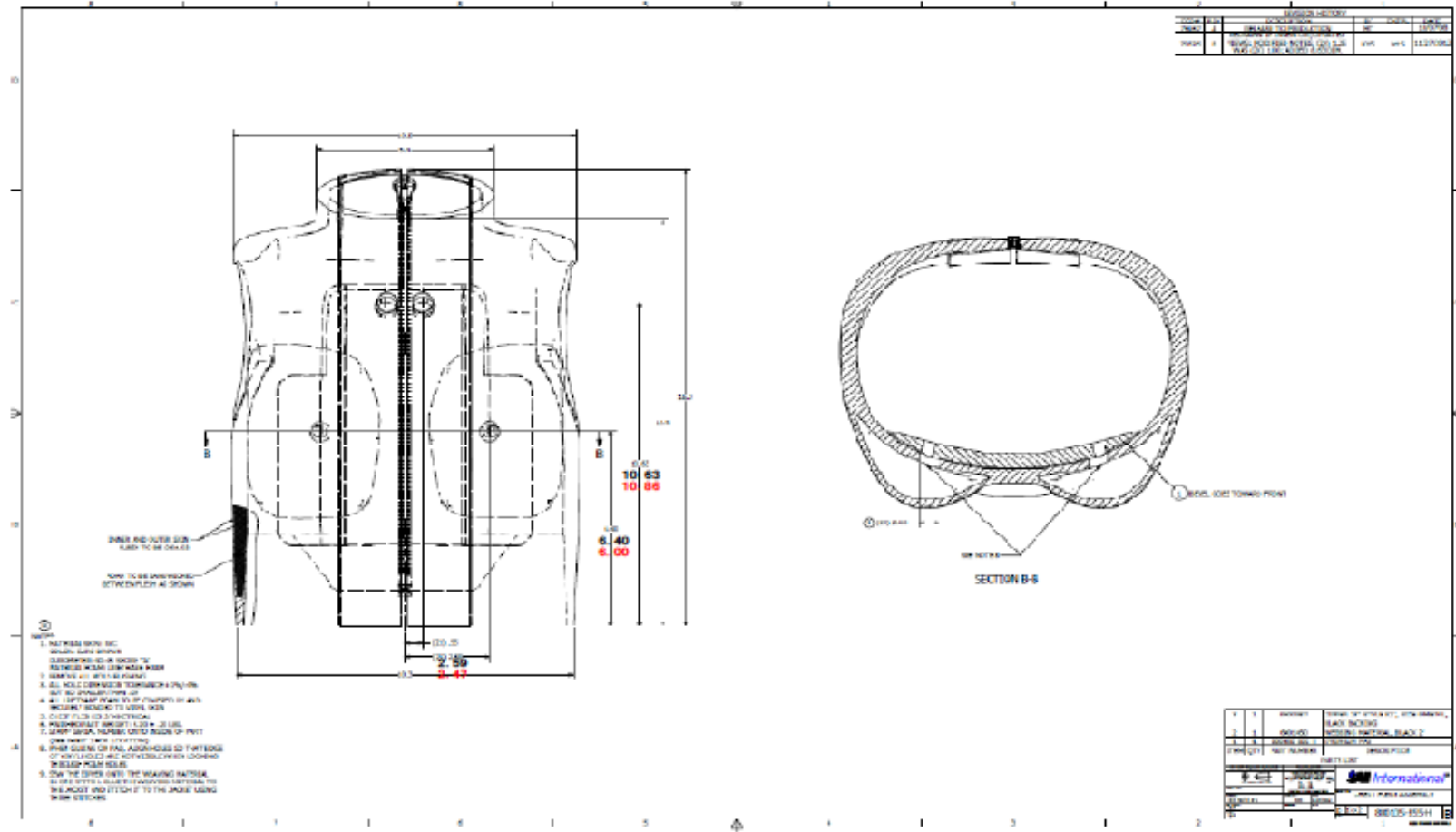
New SAE 5F Chest Jacket is different from CFR Part572 5F at some points as figure in next page.

(A) is not same as (B).

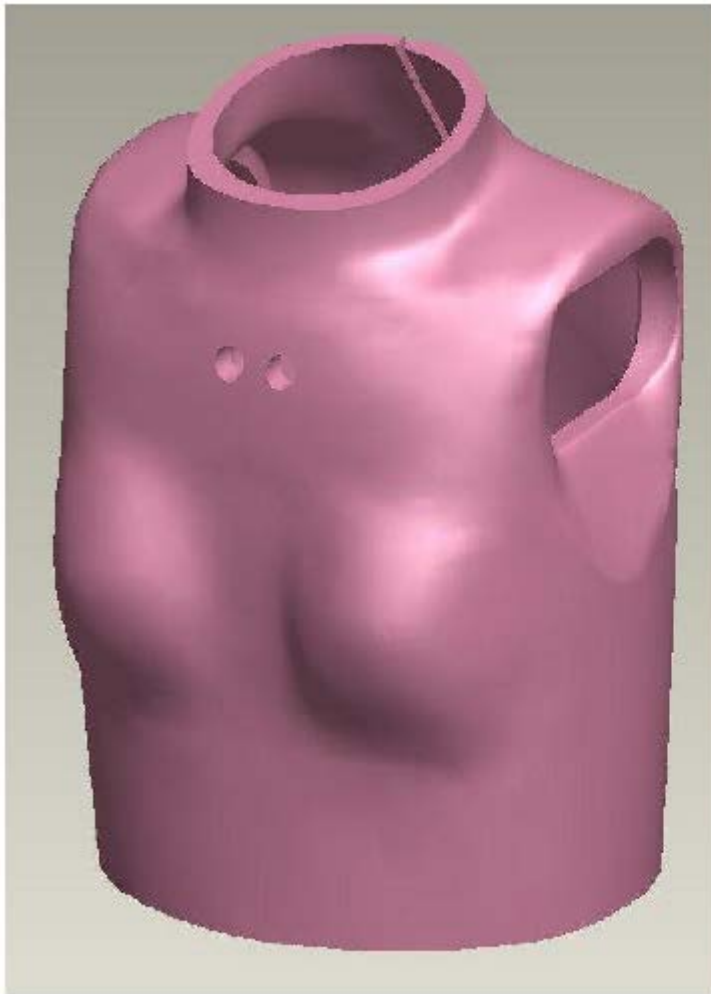
Is this change as Part572 H-III 5F specification?

# Main different points

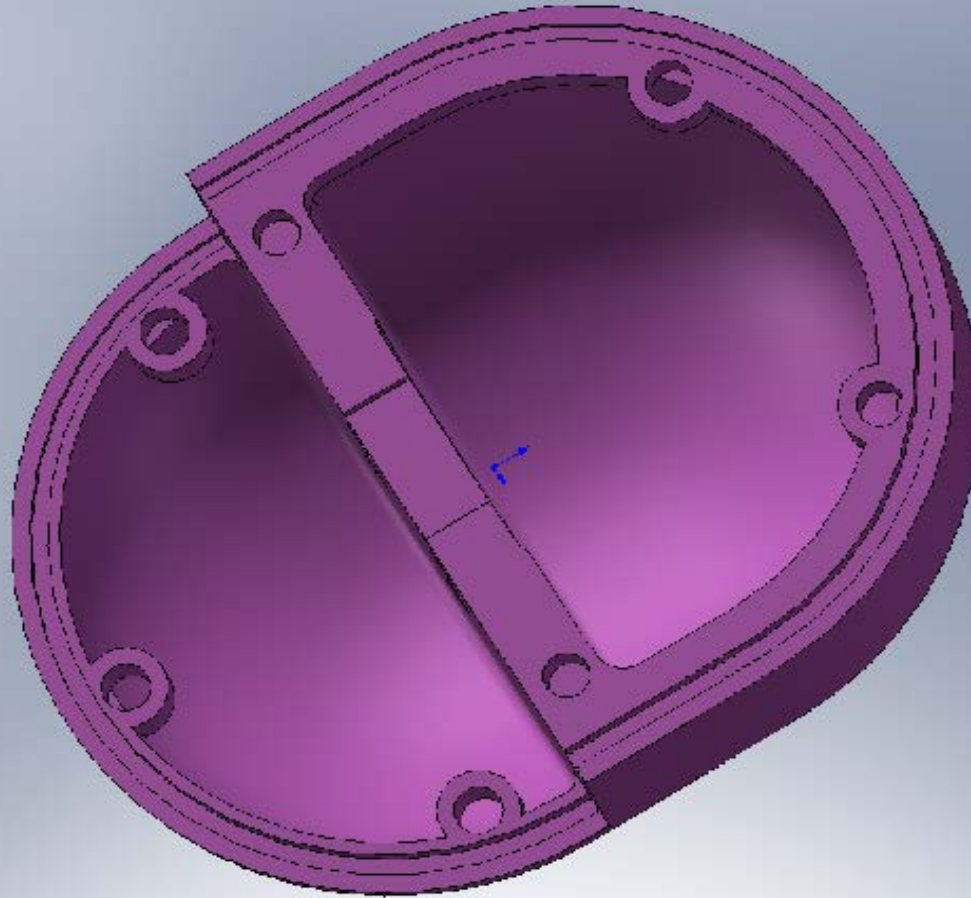
1 errors and lack of information See Figures 4 - 6



# 3D Model comparison



# FMVSS226 Cast. Modification



# FMVSS226 Modification





# Thank You

.

